

Hull City Hall - Technical Specification



Flying facilities

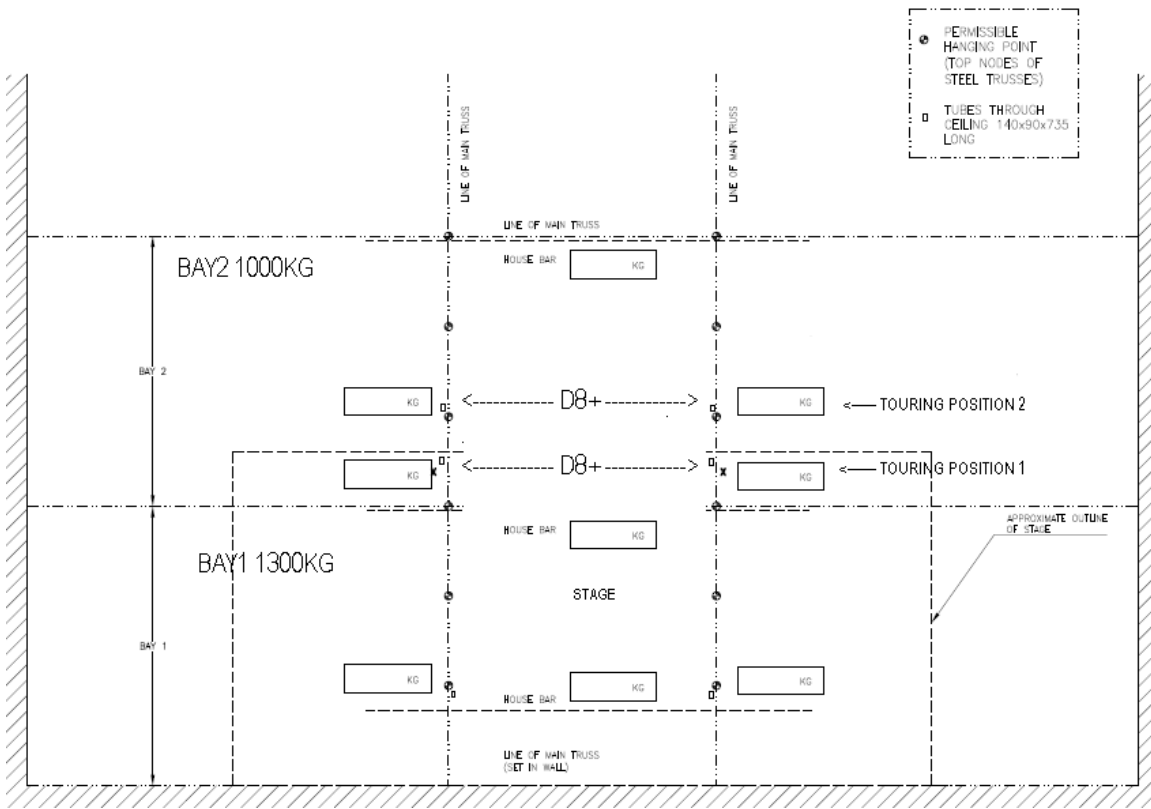
The Hull City Hall has a back box truss installed in Bay 1 - which is able to lift 900kg - alternatively the box truss can be removed if touring trusses are required for the production, but house motors would remain in situ for the set up - which would allow 650kg on each D8+ chain hoist – Bay1 has a maximum loading of 1300kg.

Bay 2 maximum loading of 1000kg - If both bays in use - not to exceed 2300kg in total. The venue has 2xfly positions in bay2 with D8+ motors for touring trusses/equipment. Also there are 2x permanently rigged box trusses that are able to lift 300kg each – please note if used would count to the over all total weight allowed to be flown as they are situated in Bay1&2.

Bay 4 has a permanent delay PA truss rigged that covers the Balcony and Gallery – maximum load of 500kg.

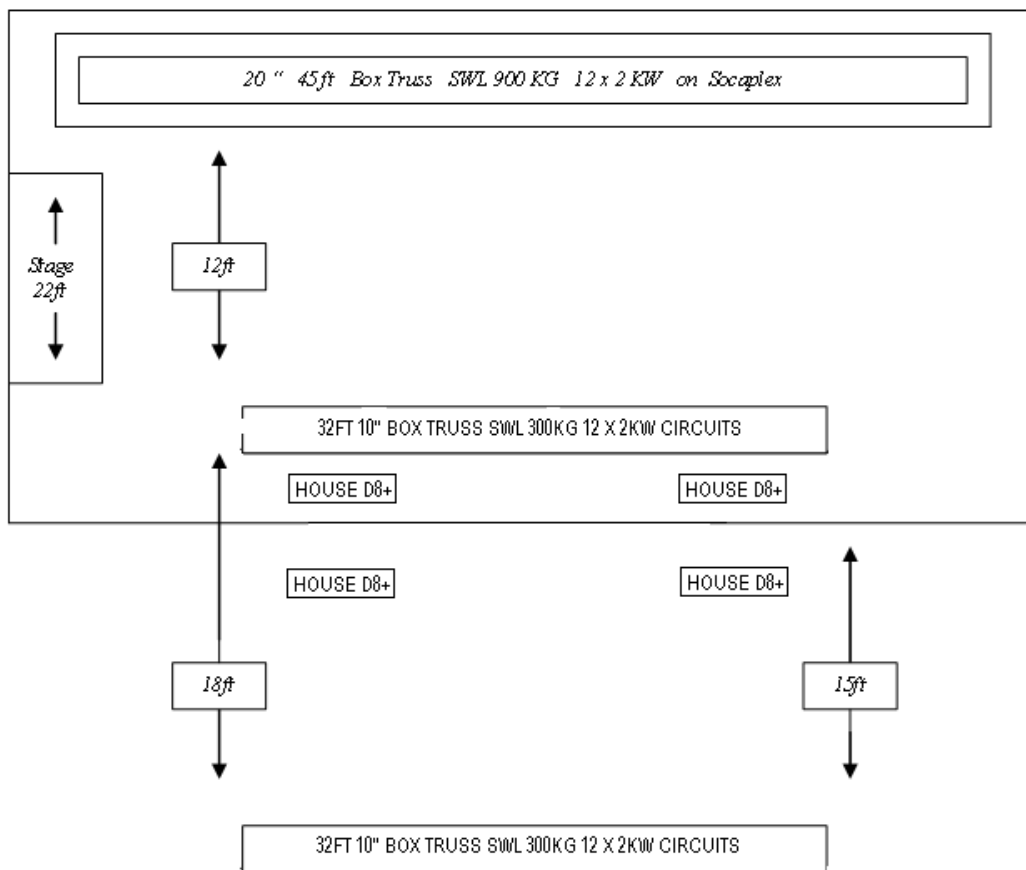
Please note the Hull City Hall does not have a house rigger, all tour flying is inspected by Hull City council bridges and structures.

Fly Point Positions



Main Auditorium





House Truss Positions

Dimmer Circuits

- 12 x 2k circuits on 15amp plugs house truss 1.
- 12 x 2k circuits on 15amp plugs house truss 2.
- 12 x 2k circuits on socapex rear stage truss.
- 6 x 2k circuits stage floor.
- 6 x 2k circuits PA delay truss 15amp plugs.

Power Supplies

- 160A 3phase on CamLock/powerLocks/tails
- 63A 3phase on C-form/tails (RCD protected)

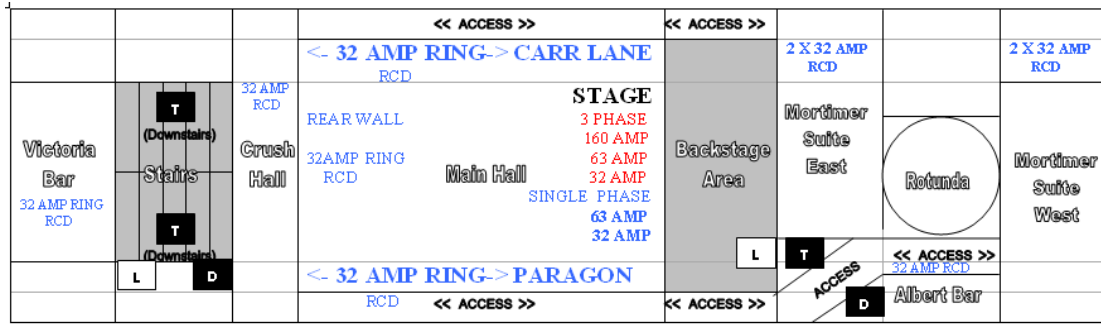
63A 3phase on tails (Unprotected)

63A 1pahse on C-form (MCB)

32A 3phase on C-form (MCB)

32A 1phase on C-form (MCB)

First Floor Electrics



Lighting

City Hall provides a standard wash of lights or 4 colour wash with the hire of the Hull City hall. We can supply a more advance lighting setup with intelligent lighting and hazer's at a hire cost, please contact Tony Evans Venues Technical Manager for details.

- Avolites Azure shadow lighting desk
- DMX control unit
- 4 Martin Mac 250 intelligent lights
- 2 AC tour washes
- 2 LED colour blinders
- 2 Martin acrobats
- Various parcans
- Various Fresnels
- 2 junior source4
- 1 source4
- 4 bars of 6 Parcans
- 30 1k fresnels
- 4 2k fresnels
- 2 chauvet colourado zoom
- 16 tricolour colourado
- 12 source 4 with 19' lens
- 1 source 4 zoom
- 5 martin mac 250's
- 2 ac lighting tourwash 250
- 10 1k single cell flood
- 1Unique 2 hazer
- 1 avolight dimmer rack (36 dim + 12 hard or 48 dim)
- 2 haze machines
- 1 mirror ball and motor
- 1 black back cloth

1 white cyc
2 Vadetta 1.2kW follow spots with colour change
2 Colorado 2 Zoom RGBW Tour
12ft x 9ft fast fold projector screen Epsom 5200 lumens projector

Follow spots

Hull City Hall has 2 x 1.2kw follow spots which are free to use – operators can be provided at extra cost.

Sound

Yamaha LS-9 32channel mixer desk

Kv2 speaker system on stage.

L-Acoustics Kiva line array and 12xti + 108xt for upstairs cover.

Mics - 3 x sennheizer MD431 mkII

3 x AKG

4 x SM58

2 x Channel 38 Radio Microphones

CD player and mini disk player

Mixer Position

(Located at the back of the Main Floor)

Small Mixer Position removal of 7-16 seats

Large Mixer Position removal of 45 seats

City Hall charges for the hire of the PA system and operator.
Please contact Tony Evans Venues Technical Manager for details.

Stage Dimensions

Full Stage (one extension) Width 16 metres x Depth 5.4 metres

Full Stage (two extensions) Width 16 metres x Depth 6.7 metres

Height 1.3 metres

Capacity Main Auditorium

1800 with main floor as standing



1200 seated

Dressing Rooms

Location	comfort	Maximum	Facilities
Artiste room carr lane side	2	6	Shower room + Toilet
Band room carr lane side	4	10	Shower room + Toilet
Band room paragon st side	6	12	Shower room + Toilet
Production Office	1	3	Toilet + Hand Basin

Please note – if you require more dressing room space - depending on availability the Mortimer suite can be set up for changing areas.

Mortimer Suite

Varying capacities depending on type of event please contact 01482 613819 for details

Get In

The City Hall is a first floor venue therefore equipment is loaded in via goods Hoist.

Truck Access and Parking

Hull City Hall has no designated car park. We have arrangements in place with Hull Parking to reserve areas for unloading. The cost for parking meter reservation is between £20 and £160, dependent on how many areas required.

Hoist Dimensions

Entrance to Hoist	Height 2.72 metres x Width 1.59 metres
Hoist Gate	Height 2.45 metres x Width 2.7metres
Hoist Size -	Width 3.63 metres x Depth 2.83 metres
	Maximum weight 5000 kilograms

Drapes Back Drops & Scenery

We have an open stage with no safety curtain.
Black Back Cloth available on request
White Cyc available on request
Masking flats and legs & borders available on request

Equipment

Steinway Concert Grand Piano
Concert Organ
Conductors Rostrum and Stand
Orchestral Chairs
Choir Chairs
General Chairs
Trestle Tables, Round Tables, Gypsy Tables

Hull City Hall Contacts

Tony Evans
Venues Technical Manager
Hull City Hall / Hull New Theatre

Tony.evans@hcandl.co.uk

Tel 01482 613816 / 318302
Mob 07585660865

Richard Mobbs
Stage Manager
01482 613824

Richard.mobbs@hcandl.co.uk

Anthony Neylon
Chief Theatre Electrician
01482 613824

Anthony.neylon@hcandl.co.uk